



## **Installation Instructions for TLC100AX Toyota Landcruiser 100 Series IFS 160lt Auxiliary Fuel Tank**

This auxiliary tank fits up under the rear of factory single tank Live Axle Landcruiser. It works on a fuel transfer system using an electric pump to pump fuel into the original fuel tank. The original filler neck will require modification to allow the installation of a new twin filler neck.

Fuel is transferred via an electric pump that will pump fuel from the auxiliary tank into the OEM tank. A combination switch/gauge will be located into a suitable position in the dash. When the switch is in operation an ORANGE light will be ON, indicating that the transfer pump is in operation. A series of lights will also indicate fuel level.

All GREEN lights on showing FULL, one RED flashing light showing EMPTY. Once empty the pump will automatically shut off after 2 minutes.

1. Install wiring and switch gauge as per drawings. Remove drivers kick panel & scuff plate and lift carpet slightly to expose 25mm grommet in floor. This is a good exit point for twin core wire to be run through and up to the rear of the vehicle. 12 volt ignition power is black/red wire found at ignition switch.
2. Cut OEM filler neck as per diagram & install new twin filler neck. Note fast fill hoses must be crossed over. Fast fill hose for front tank is connected to rear filler neck & vice versa, this prevents splash back or pump cutting out when filling. Mount fuel transfer pump to the rear of the body panel using new filler neck mounting bolt. Thread will be protruding towards the rear of vehicle making this possible. This mounting is also a good spot for fuel pump and gauge sender earth wires.
3. Install tank mounting brackets using OEM mounting holes as locating points and drill new holes as needed. Secure mounting brackets to chassis. Install 5/16 x 1/4 fitting into pick-up socket and connect hose. Spare socket will need 1/4 BSP plug fitted. Lift tank into position & secure. Install fast fill fitting & connect all hoses and wires.
4. Fill with fuel and check for leaks.



## FITTING KIT CONTENTS TLC100AX

Updated 5/20 - TL

<b>Brass:</b> <ul style="list-style-type: none"> <li>○ 1 x P3 5/16 x 1/4 Straight</li> <li>○ 1 x P6 5/16 x 1/4 Elbow</li> <li>○ 1 x P3 1/2 x 1/4 Straight</li> <li>○ 1 x 1/4 BSP Plug</li> <li>○ 2 x P6 1/2 x 1/4 Elbows</li> </ul>	<b>Electrical:</b> <ul style="list-style-type: none"> <li>○ 1 x LRA-PG210 Switch/Gauge Unit</li> <li>○ 1 x 3mm 2 Core Cable @ 6000mm</li> <li>○ 1 x 4mm Single Core Blue Wire @ 300mm</li> <li>○ 1 x 5AMP Fuse</li> <li>○ 1 x Fuse Holder</li> <li>○ 2 x Fuse Holder Terminals</li> <li>○ 3 x Red Insulated Terminals</li> <li>○ 1 x Red Eye Terminal</li> <li>○ 1 x 8mm Blue Eye Terminal</li> <li>○ 2 x Red Male Terminals</li> <li>○ 5 x 3mm Shrink Tube @ 25mm</li> </ul>
<b>Bolts / Nuts:</b> <ul style="list-style-type: none"> <li>○ 3 x M8 x 25 Bolt</li> <li>○ 12 x M8 Flat Washers</li> <li>○ 2 x M8 Spring Washers</li> <li>○ 2 x M10 Flat Washers</li> <li>○ 4 x M12 Flat Washers</li> <li>○ 2 x M10 Nyloc Nuts</li> <li>○ 1 x M8 Nut</li> <li>○ 10 x M8 Nyloc Nuts</li> <li>○ 2 x M12 x 30 Bolts</li> <li>○ 2 x M12 Nyloc Nuts</li> </ul>	<b>Misc Parts:</b> <ul style="list-style-type: none"> <li>○ 1 x TF100TLCEXP Twin Filler Neck</li> <li>○ 1 x Front Tank Mounting Bracket</li> <li>○ 1 x Rear Tank Mounting Bar</li> <li>○ 10 x M8 x 25mm Bolts with 200mm Straps</li> </ul>
<b>Hose Clamps:</b> <ul style="list-style-type: none"> <li>○ 6 x 1/4" Hose Clamps</li> <li>○ 4 x 1/2" Hose Clamps</li> <li>○ 4 x 1 1/4" Hose Clamps</li> </ul>	<b>Hose:</b> <ul style="list-style-type: none"> <li>○ 1 x 8mm Hose @ 1500mm</li> <li>○ 1 x 12mm Hose @ 400mm</li> <li>○ 1 x 12mm Hose @ 550mm</li> <li>○ 1 x 35mm Fuel Hose @ 110mm</li> <li>○ 1 x 32mm Fuel Hose @ 150mm</li> </ul>
<b>Pumps &amp; Filters:</b> <ul style="list-style-type: none"> <li>○ 1 x Fuel Pump &amp; Filter</li> <li>○ 1 x Fuel Pump Mounting Plate</li> </ul>	<b>Cable Ties:</b> <ul style="list-style-type: none"> <li>○ 12 x 7" Cable Ties</li> </ul>

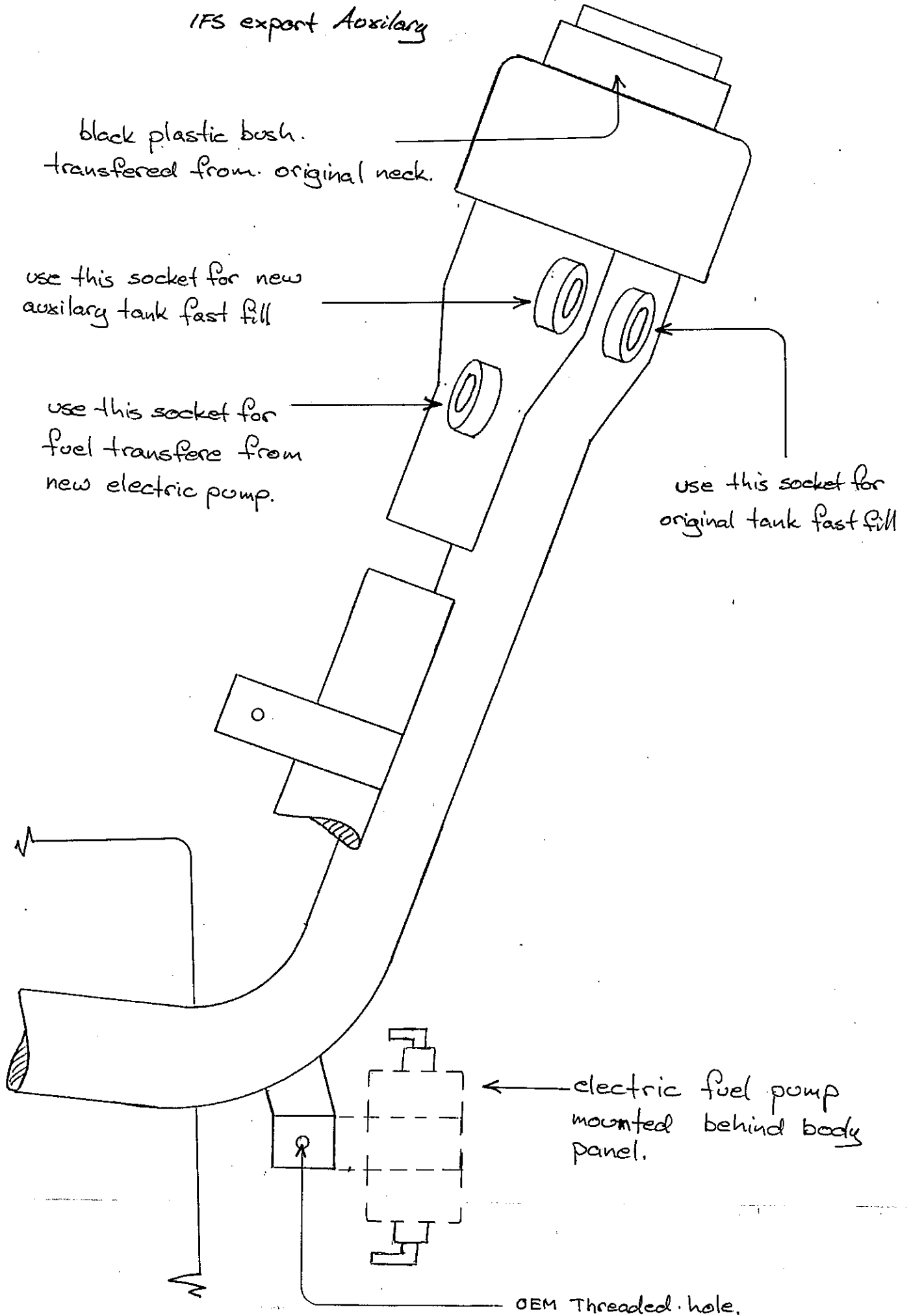
<b>Sender:</b>	<b>6 Pages of Fitting Instructions Consisting of:</b>
<ul style="list-style-type: none"><li>○ 1 x Sender 0 – 90 OHM C/W 500mm Earth, Installed With:<ul style="list-style-type: none"><li>- 5 x M5 x 10 Pan Heads</li><li>- 5 x M5 Spring Washers</li></ul></li></ul>	<ul style="list-style-type: none"><li>○ 1 x Page Fitting Instructions</li><li>○ 2 x Page Fitting Kit Contents</li><li>○ 2 x Pages Installation Drawings</li><li>○ 1 x WDSGPG210 Diagram</li></ul>

Kit Packed By \_\_\_\_\_

Checked By \_\_\_\_\_

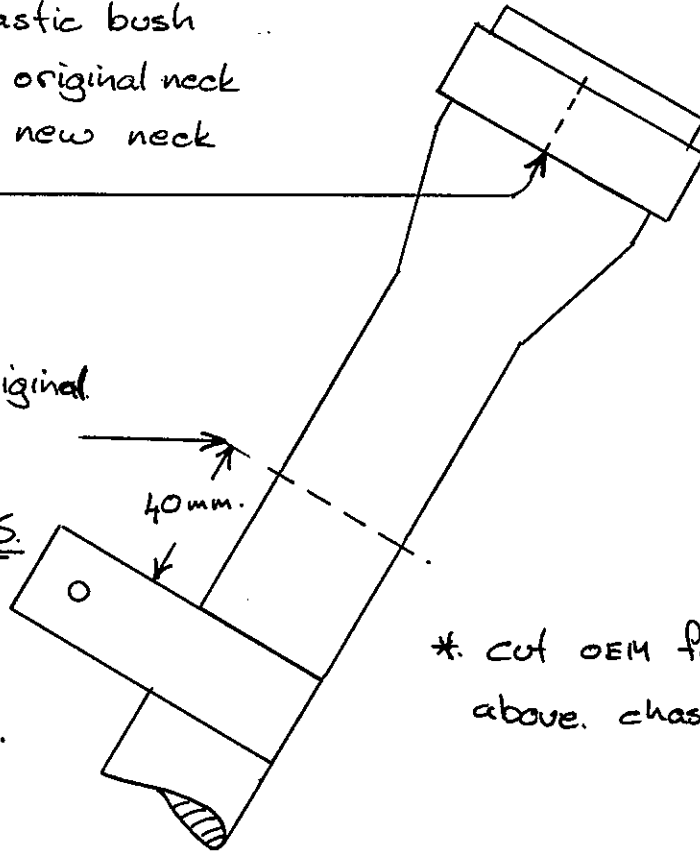
Toyota Landcruiser 100 Series

IFS export Auxiliary



Toyota Landcruiser 100 Series 1FS export Auxiliary

cut black plastic bush  
remove from original neck  
and refit to new neck  
supplied.



cut top section of original  
filler neck at this point

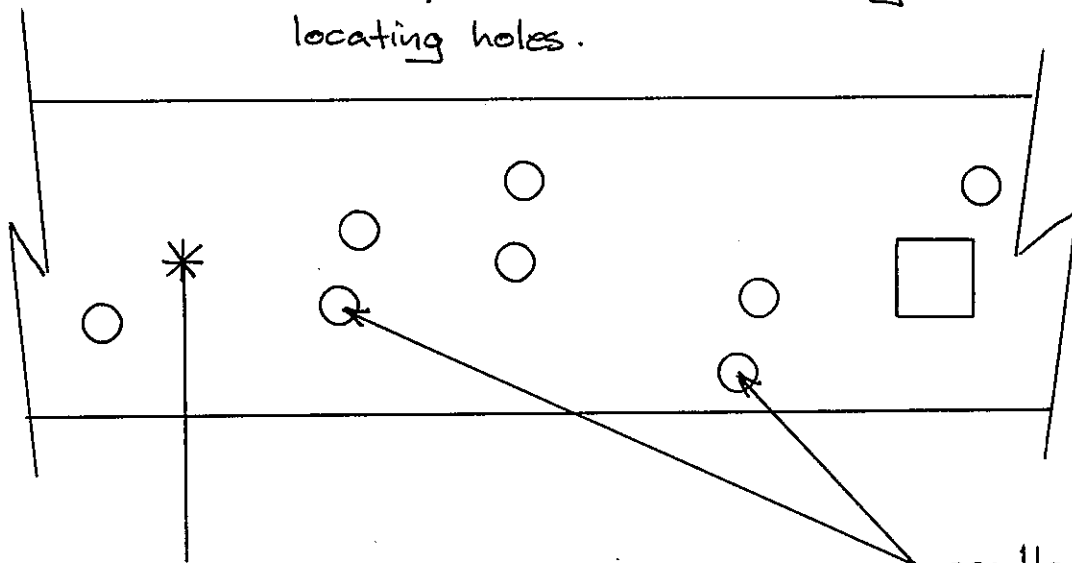
Do Not MAKE SPARKS.

when cutting.

(a chain cutter is the  
best tool for this job.)

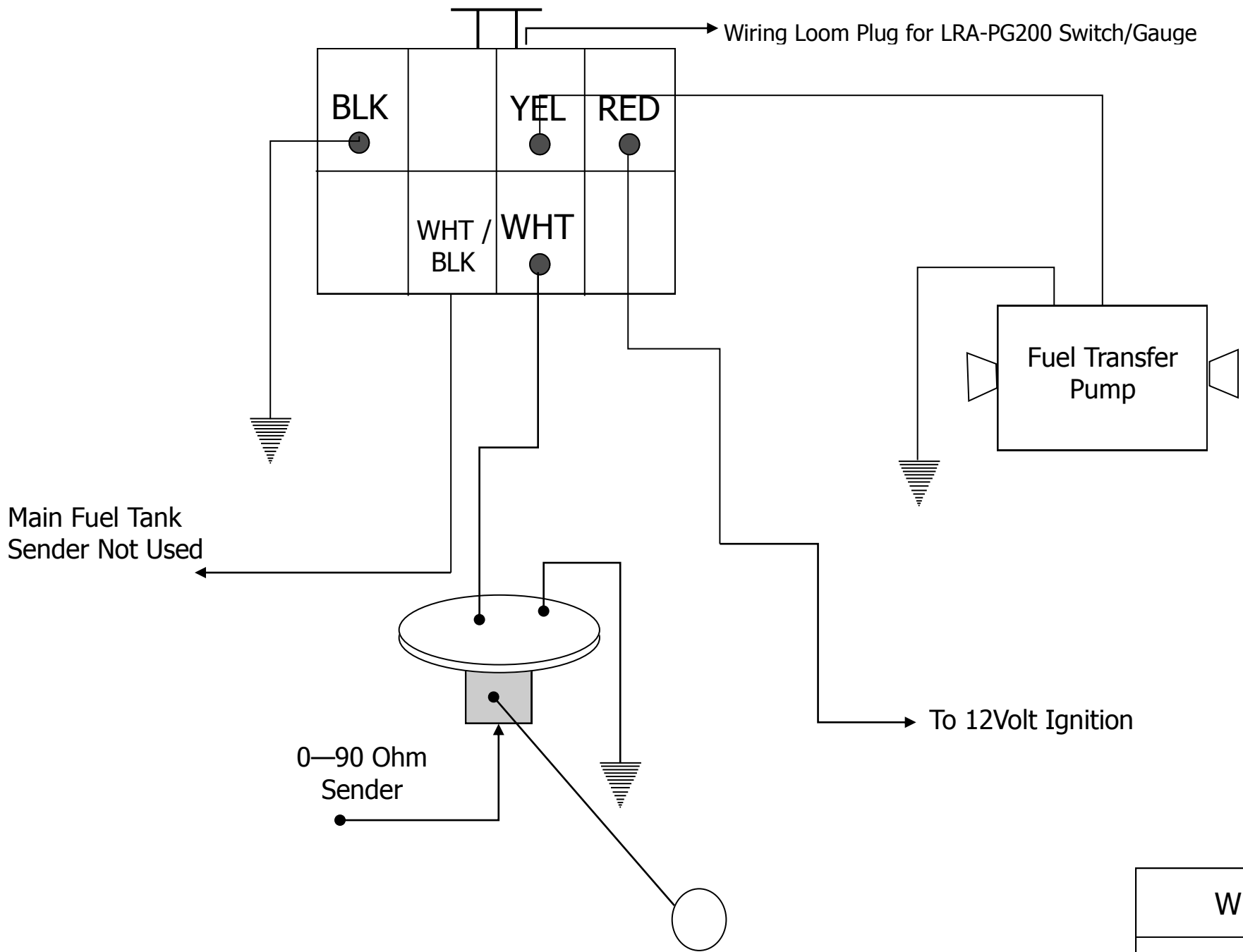
\* cut OEM fast fill tube  
above chassis rail.

View of R/H chassis rail showing cradle  
locating holes.



new hole will need  
to be drilled in this  
area. use cradle as  
template.

cradle locating  
and mounting holes.



WDSGPG210