



Installation Instructions for JWJKPA36
Jeep Wrangler JK 3.6 Pentastar
4 Door
60lt Auxiliary tank

This Auxiliary tank fits under the centre of the vehicle and comes with a replacement filler neck that will improve the filling of the main tank. Filling is via a T piece in the fill line where by the main tank will fill first and then the Auxiliary tank. (Whilst filling the main tank some fuel will always flow into the Auxiliary tank).

Fuel is transferred via an electric pump that will pump fuel from the Auxiliary tank into the OEM tank. A combination switch/gauge will be located into a suitable position in the dash. When the switch is in operation an ORANGE light will be ON, indicating that the transfer pump is in operation. A series of lights will also indicate fuel level. All GREEN lights on showing FULL, one RED flashing light showing EMPTY.

(DO NOT OPERATE TRANSFER PUMP WITH NO FUEL IN AUXILIARY TANK OR PUMP FAILURE WILL OCCUR).

1. Select a suitable location for the switch gauge unit, we suggest on the RHS of the steering column refer to picture. A 12 volt ignition source can be found under the LHS of the steering column pink wire with white trace. (Check this with test light.) Carry out wiring as per the wiring diagram. Run the twin core under the dash, behind the glove box and under the scuff plate then exit out through the floor under the LH front seat (Drill an 8mm hole and use grommet supplied), run to rear of the vehicle for later connection to the fuel pump and sender unit.
2. Bolt the new exhaust heat shield in place on the inside of the pipe.
3. Remove the LHR wheel arch cover and the LHR tail light assembly, remove the OEM filler, fast fill and 8mm vent lines (Note you will need to cut the filler neck to get it out). Make sure you disconnect from the original tank before cutting. The neck and pipes will not be reused. Carefully remove the couplings from the tank ends of both the fast fill vent and the 8mm vent lines. Also the fast fill vent end Cap that is riveted to the filler neck. Screw the P6 5/8 x 3/8 and the P6 5/16 x 1/8 elbows into the filler neck. Fit the 1500mm length of 16mm hose and the 1400mm length of 8mm hose to the new filler neck, fit the fast fill vent end cap to the 1050mm length of 16mm hose and attach to the bracket on the new filler neck. Refit the new neck to the vehicle and fix to body with M6 x 16mm bolt washers and nyloc nut. Fit 420mm length of 32mm hose to the fill neck. Screw the P3 5/16 x 1/8 straight fitting into the intermediate pipe and fit pipe in position connecting back to the original tank with the original hose.
4. Remove the emission canister from the vehicle and unclip the unit from the OEM bracket. Fit the canister to the new bracket and secure with M8 nyloc and washer. The new bracket with canister locates under the R/H stud from the park brake cable support and four TEK screws along the rear. The 1050mm length of 16mm hose that comes from the fast fill vent end cap now connects to the FRONT fitting on the canister in its new location. The REAR fitting uses one of the original couplings

and the 600mm length of 16mm hose and loops forward on to the 16mm coupling that comes from the top of the original tank.

5. Screw the fittings into the tank P6 5/8 x 3/8 elbow points towards the filler neck and P3 5/16 x 1/4 straight goes into the fuel pick up. Jack the tank into position, on the top of the front cross member you will find a hole that lines up with the front in board bolt hole, mark all holes and drill out to 10.5mm. (You may find it easier to move the tank out of the way to do this). Bolt tank into position, 16mm x 44mm crush tube is for the LHR mount. Secure with M10 bolt washers and nyloc nuts. Screw the fuel transfer pump to the mounting bracket and mount above the rear of the auxiliary tank and complete the wiring of the pump. Connect remaining hoses and sender unit wires (including the earth). Check all clearances and neatly cable tie all hoses and wiring. Refit wheel arch cover and tail light.



FITTING KIT CONTENTS JWJKPA36

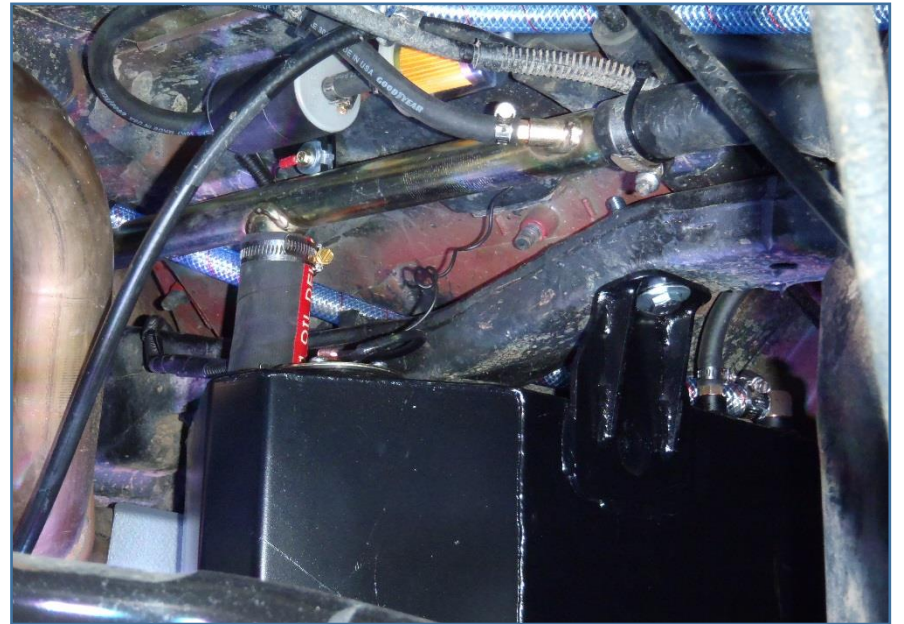
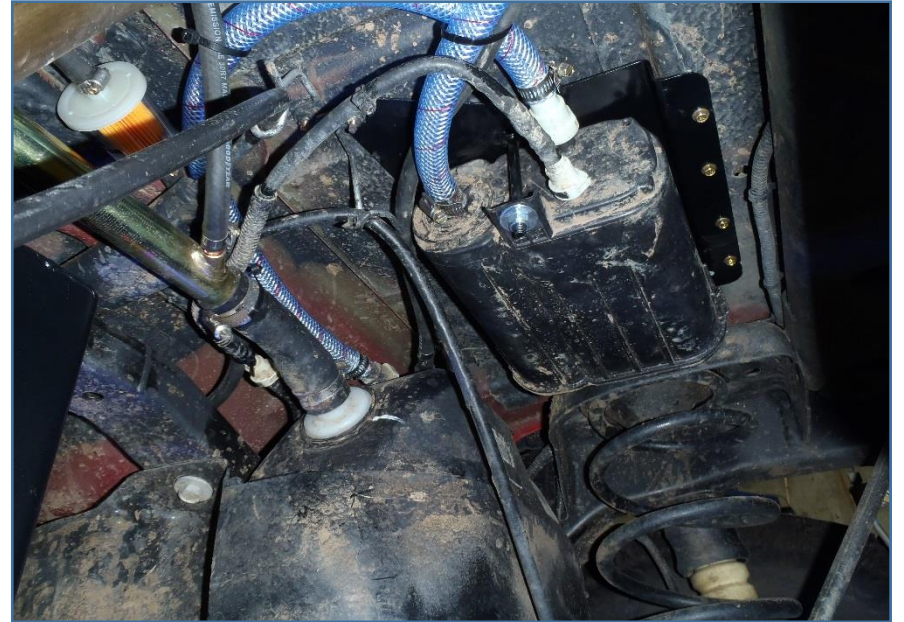
Brass:	Electrical:
<ul style="list-style-type: none"> ○ 1 x P6 5/16 x 1/8 Elbow ○ 2 x P6 5/8 x 3/8 Elbow ○ 1 x P3 5/16 X 1/8 Straight ○ 1 x P3 5/16 X 1/4 Straight 	<ul style="list-style-type: none"> ○ 1 x LRA-PG210 Switch Gauge ○ 1 x 3mm Two Core @ 4m ○ 1 x 4mm Single Core Blue Wire @300mm ○ 1 x 5 AMP Fuse ○ 1 x Fuse Holder ○ 2 x Fuse Holder Terminals ○ 1 x Red Insulated Terminal ○ 3 x 6mm Blue Eye Terminals ○ 1 x 3/16 Wiring Grommet (WG2) ○ 3 x Heat Shrink Tube
Bolts / Nuts:	Misc Parts:
<ul style="list-style-type: none"> ○ 1 x M8 Nyloc Nut ○ 1 x M8 x 25 Washer ○ 2 x M10 x 50mm Bolt ○ 2 x M10 x 75mm Bolt ○ 2 x M6 Flat Washers ○ 8 x M10 x 30mm Flat Washers ○ 4 x M10 Nyloc Nuts ○ 1 x M6 x 16mm Bolt ○ 1 x M6 Nyloc Nut ○ 7 x Tek Screws ○ 2 x 30mm Tek Screws 	<ul style="list-style-type: none"> ○ 1 x SC91 Fuel Cap ○ 1 x FNJWJKPA Filler Neck ○ 1 x FPJWJKDA Intermediate Fill Pipe ○ 1 x Exhaust Heat Shield C/W Nuts & Clamps ○ 1 x Resonator Heat Shield ○ 1 x Canister Bracket ○ 2 x C12 Exhaust Clamps ○ 1 x 16mm x 44mm Crush Tube
Hose Clamps:	Hose:
<ul style="list-style-type: none"> ○ 7 x 1/4 Hose Clamp ○ 6 x 5/8 Hose Clamp ○ 4 x 1" 1/4 Hose Clamp ○ 1 x EFI Hose Clamp ○ 1 x 16mm IDP Clip ○ 1 x 25mm IDP Clip 	<ul style="list-style-type: none"> ○ 1 x 8mm Hose @ 1100mm ○ 1 x 8mm Hose @ 1400mm ○ 1 x 32mm Hose @ 100mm ○ 1 x 32mm Hose @ 420mm ○ 1 x 16mm NTP Hose @ 600mm ○ 1 x 16mm NTP Hose @ 1050mm ○ 1 x 16mm NTP Hose @ 1500mm

Pumps & Filters:	Cable Ties:
<ul style="list-style-type: none"> ○ 1 x Fuel Pump & Filter ○ 1 x Fuel Pump Mounting Bracket 	<ul style="list-style-type: none"> ○ 10 x 7" Cable Ties ○ 5 x 11" Cable Ties
Sender:	Pages of Fitting Instructions Consisting of:
<ul style="list-style-type: none"> ○ 1 x 0-90 OHM Sender Unit c/w 400mm Earth, Installed Using: <ul style="list-style-type: none"> - 5 x M5 x 10 Pan Heads - 5 x M5 Spring Washers 	<ul style="list-style-type: none"> ○ 2 x Pages Fitting Instructions ○ 2 x Page Fitting Kit Contents ○ 1 x Page Switch Gauge Location ○ 1 x Page Crop of 4 Pictures ○ 1 x WDSGPG210

Kit Packed By _____

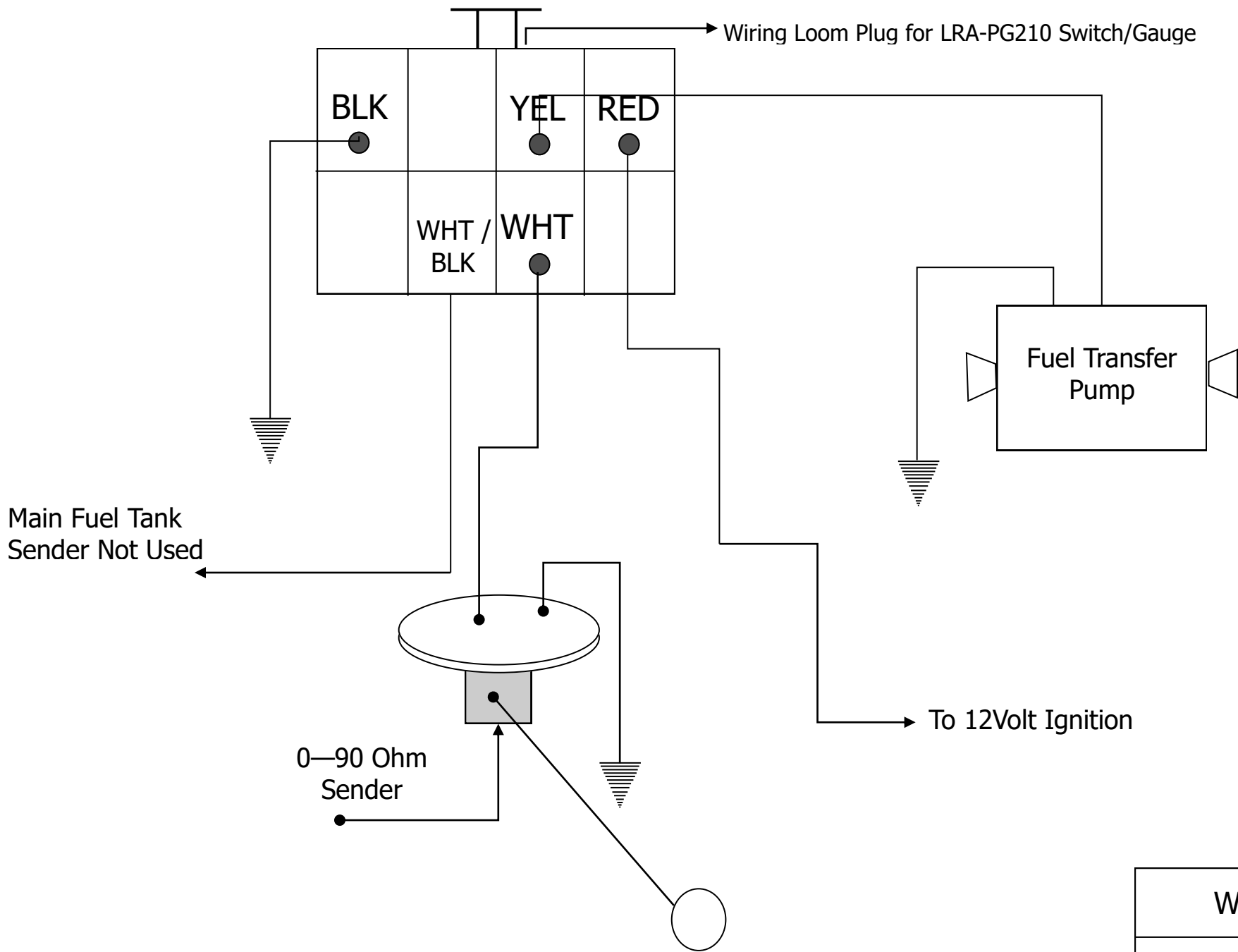
Checked By _____

JWJKPA36 FITTING INSTRUCTION PHOTOS



JWJKPA36 SWITCH GAUGE LOCATION





WDSGPG210