



**Installation Instructions for TLCZ75PRR  
Toyota Landcruiser HZJ75/78 Troopy  
155L Replacement Sub Tank**

This replacement tank fits behind the rear axle and takes the place of the OEM auxiliary sub tank. The original filler neck and fuel tank sender unit are retained.

1. Drain and remove the original tank.
2. Screw brass fittings and sender unit into new tank as per diagram.
3. Trim parts of the original front tank support bracket which protrude down from the round crossmember so that the new front tank mount will sit flush on the underside of the round crossmember (**Refer Drawing**).
4. Bolt the new angle rear tank mounting bar to the rear angle crossmember gussets to create the mount for the rear of the new tank.
5. Lift tank into position. Secure Tank into position with bolts & U-bolts.
6. Complete connection of remaining hoses, fittings and wiring.

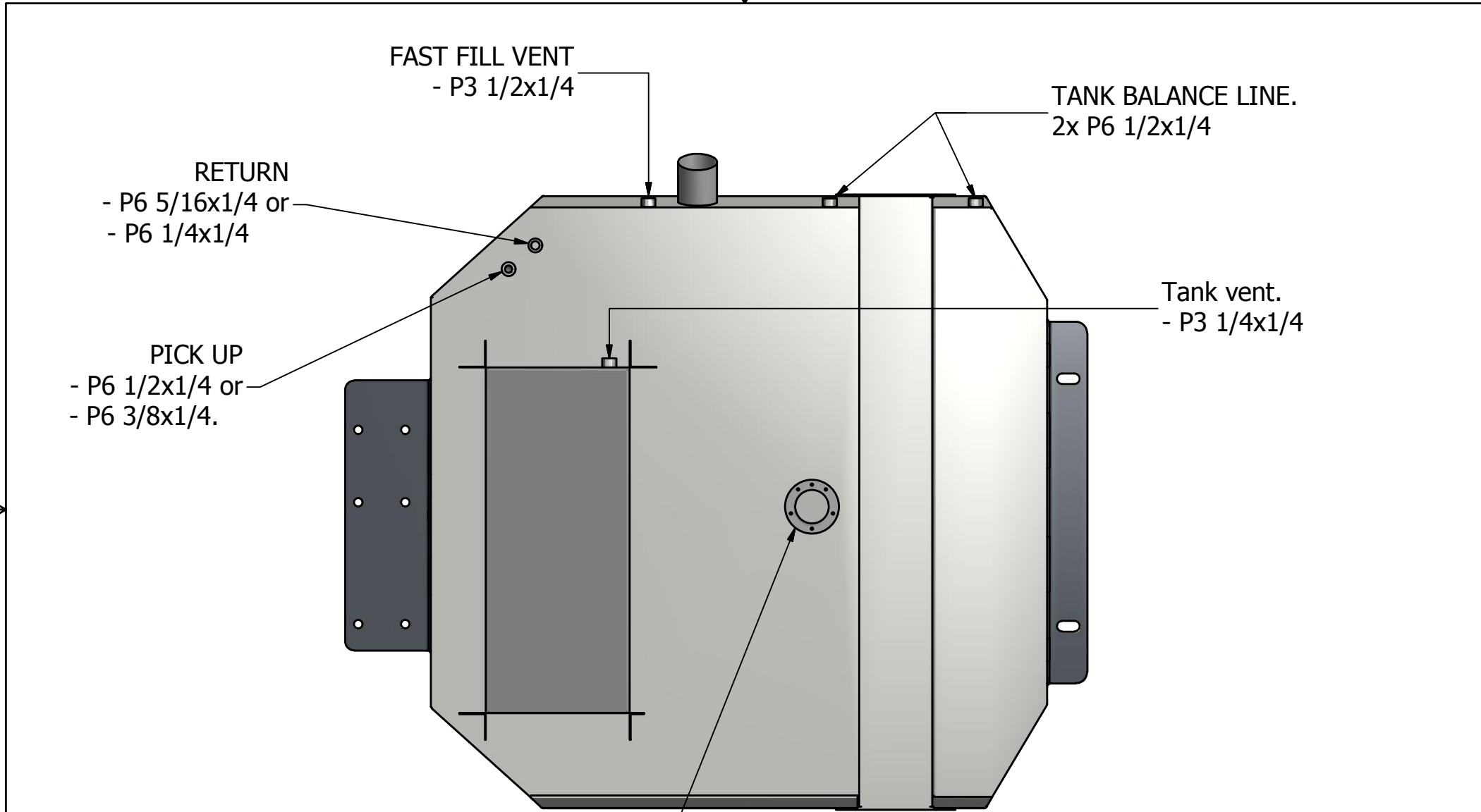


## FITTING KIT CONTENTS TLCZ75PRR

<b>Brass:</b>	<b>Electrical:</b>
<ul style="list-style-type: none"> <li>○ 1 x P3 1/4 x 1/4 6mm Straight</li> <li>○ 1 x P3 1/2 x 1/4 12mm Straight</li> <li>○ 1 x P6 3/8 x 1/4 10mm Elbow</li> <li>○ 1 x P6 1/4 x 1/4 6mm Elbow</li> <li>○ 2 x P6 1/2 x 1/4 12mm Elbow</li> <li>○ 1 x 1/4 BSP Plug</li> </ul>	
<b>Bolts / Nuts:</b>	<b>Misc Parts:</b>
<ul style="list-style-type: none"> <li>○ 4 x M10 Nyloc Nuts</li> <li>○ 4 x M10 x 30mm Bolts With 200mm Strap Welded</li> <li>○ 8 x M10 x 25mm Washers</li> <li>○ 2 x M12 x 30 mm Bolts</li> <li>○ 2 x M12 Nyloc Nuts</li> <li>○ 4 x M12 x 30 Flat Washers</li> </ul>	<ul style="list-style-type: none"> <li>○ 3 x 2-1/8" Exhaust Clamps with 5/16" UNC Nyloc Nuts &amp; Washers</li> <li>○ 1 x Rear Angle Mounting Bar</li> </ul>
<b>Hose Clamps:</b>	<b>Cable Ties:</b>
<ul style="list-style-type: none"> <li>○ 6 x 1/4" Hose Clamps</li> <li>○ 3 x 1/2" Hose Clamps</li> <li>○ 1 x 2" Hose Clamp</li> </ul>	
<b>Sender:</b>	<b>Pumps &amp; Filters:</b>
<b>Hose:</b>	<b>4 Pages of Fitting Instructions Consisting of:</b>
<ul style="list-style-type: none"> <li>○ 1 x 12mm Fuel Hose @ 200mm</li> <li>○ 1 x 10mm Fuel Hose @ 400mm</li> <li>○ 1 x 6mm Fuel Hose @ 400mm</li> <li>○ 1 x 6mm Fuel Hose @ 1000mm</li> </ul>	<ul style="list-style-type: none"> <li>○ 1 x Page Fitting Instructions</li> <li>○ 1 x Page Fitting Kit Contents</li> <li>○ 1 x Page Fittings Layout Drawing</li> <li>○ 1 x Page Crossmember Modification Drawing</li> </ul>

Kit Packed By \_\_\_\_\_

Checked By \_\_\_\_\_



FAST FILL VENT  
- P3 1/2x1/4

TANK BALANCE LINE.  
2x P6 1/2x1/4

RETURN  
- P6 5/16x1/4 or  
- P6 1/4x1/4

Tank vent.  
- P3 1/4x1/4

PICK UP  
- P6 1/2x1/4 or  
- P6 3/8x1/4.

SENDER UNIT.

THIS DRAWING REMAINS THE PROPERTY OF  
LONG RANGE AUTOMOTIVE AND IS NOT TO BE DUPLICATED  
WITHOUT PERMISSION



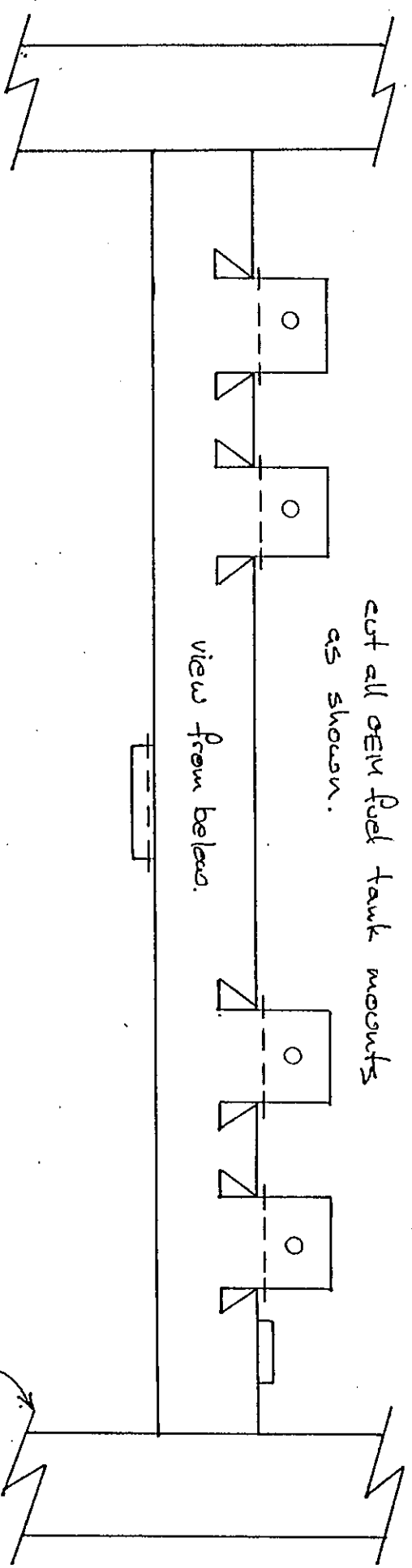
TLCZ75PRR

INSTALL-1

Toyota Landcruiser 75 series  
onwards. Troop carrier 150ltr rear  
replacement tank.

TLC 275RR Toyota Landcruiser H25/F25-75 155 Lt.  
 Rear Replacement.

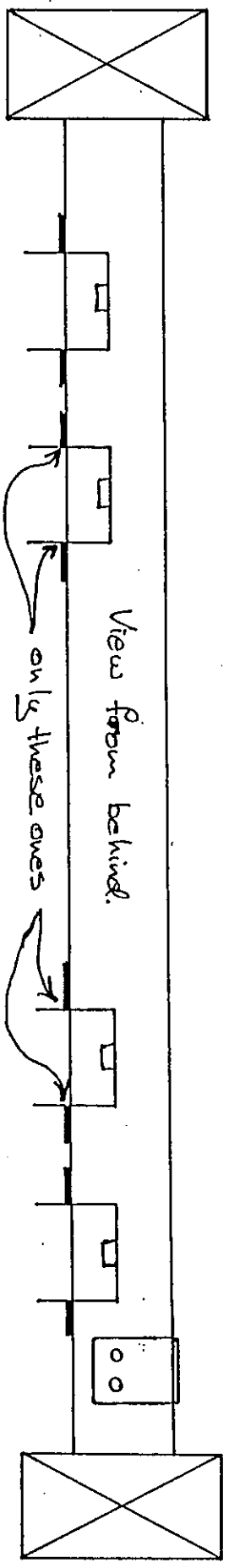
Views of tubular crossmembers: from below & behind.



cut all OEM fuel tank mounts  
 as shown.

view from below.

chassis rail.



View from behind.

only these ones

Also cut remaining sections of  
 OEM tank mounting tags back  
 flush with cross member.