



**Installation Instructions for TLCZ75TRR
Toyota Landcruiser HZJ/FZJ 75/78-79
155L Replacement Tank**

This replacement tank fits behind the rear axle and takes the place of OEM auxiliary tank. The original filler and sender unit are retained.

1. Drain fuel and remove the original tank.
2. Screw brass fittings and sender unit into new tank as per diagram.
3. Trim parts of the original front tank support bracket which protrude down from the round crossmember so that the new front tank mount will sit flush on the underside of the round crossmember (Refer Drawing).
4. Lift tank into position. Drill mounting holes and secure tank into position with bolts and U-bolts.
5. Complete connection of remaining hoses and fittings.



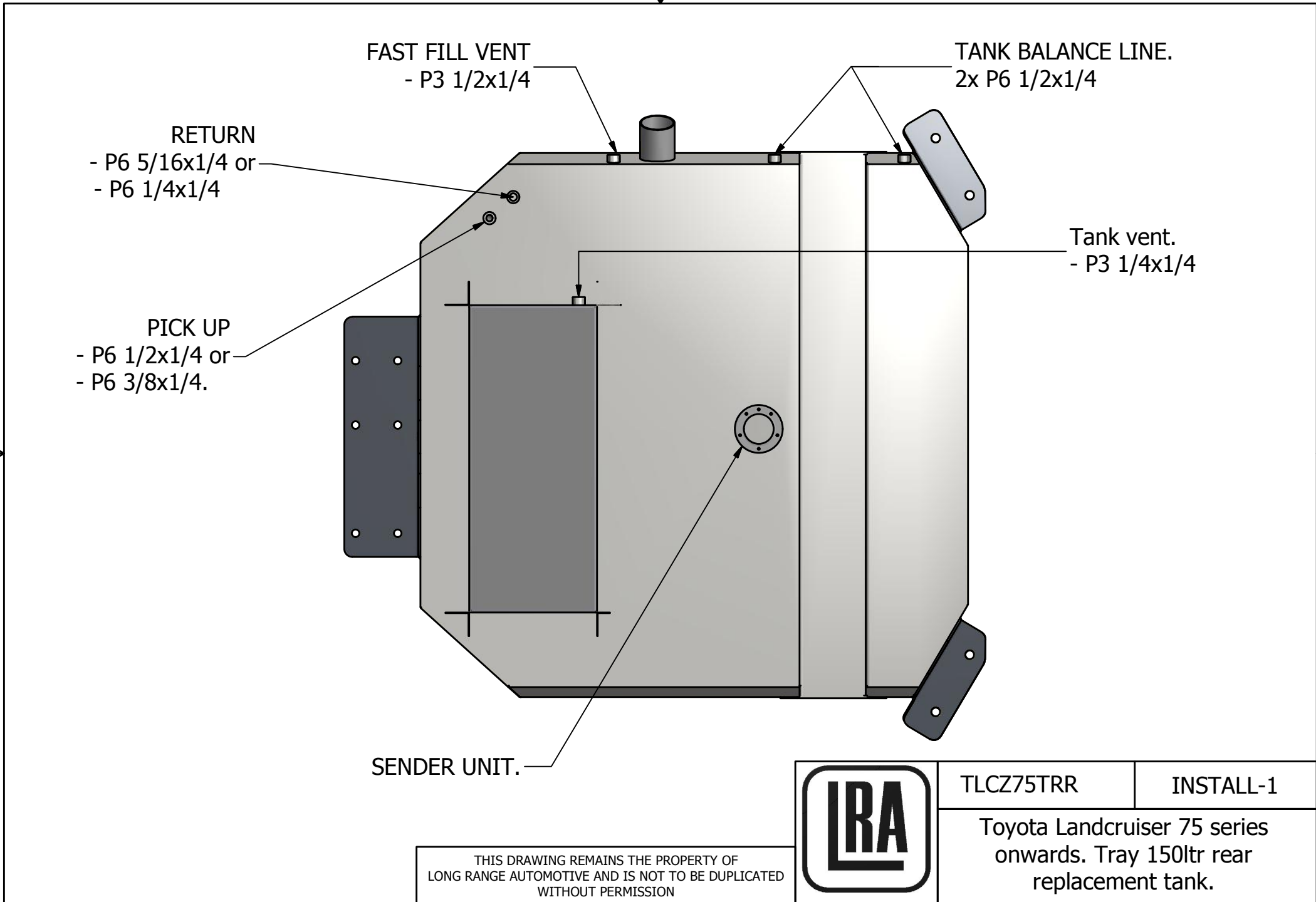
FITTING KIT CONTENTS TLCZ75TRR

<p>Brass:</p> <ul style="list-style-type: none"> ○ 1 x P3 1/4x1/4 6mm Straight ○ 1 x P3 1/2x1/4 12mm Straight ○ 1 x P6 3/8x1/4 10mm Elbow ○ 1 x P6 1/4x1/4 6mm Elbow ○ 2 x P6 1/2x1/4 12mm Elbow <p><u>FOR V8 & 6 CYLINDER TURBO DIESEL</u></p> <ul style="list-style-type: none"> ○ 1 x P3 5/16 x 1/4 Straight ○ 1 x P6 5/16 x 1/4 Elbow ○ 1 x P6 1/2 x 1/4 Elbow ○ 1 x P14 5/16 Tee 	<p>Electrical:</p>
<p>Bolts / Nuts:</p> <ul style="list-style-type: none"> ○ 4 x M10 Nyloc Nuts ○ 4 x M10 x 30mm Bolts ○ 8 x M10 Washers 	<p>Misc Parts:</p> <ul style="list-style-type: none"> ○ 3 x 2" Exhaust Clamps with 5/16 UNC Nyloc Nuts & Washers
<p>Hose Clamps:</p> <ul style="list-style-type: none"> ○ 6 x 1/4" Hose Clamps ○ 3 x 1/2" Hose Clamps ○ 1 x 2" Hose Clamp <p><u>FOR V8 & 6 CYLINDER TURBO DIESEL</u></p> <ul style="list-style-type: none"> ○ 2 x 1/2 Hose Clamps ○ 3 x 1/4 Hose Clamps 	<p>Cable Ties:</p>
<p>Sender:</p>	<p>Pumps & Filters:</p>

Hose:	5 Pages of Fitting Instructions Consisting of:
<ul style="list-style-type: none"> ○ 1 x 12mm Fuel Hose @ 200mm ○ 1 x 10mm Fuel Hose @ 600mm ○ 1 x 6mm Fuel Hose @ 600mm ○ 1 x 6mm Fuel Hose @ 1000mm 	<ul style="list-style-type: none"> ○ 1 x Page Fitting Instructions ○ 2 x Pages Fitting Kit Contents ○ 1 x Page Fitting Layout Drawing ○ 1 x Page Crossmember Modification Drawing
FOR V8 & 6 CYLINDER TURBO DIESEL	
<ul style="list-style-type: none"> ○ 1 x 12mm Fuel Hose @ 600mm ○ 1 x 8mm Fuel Hose @ 300mm 	

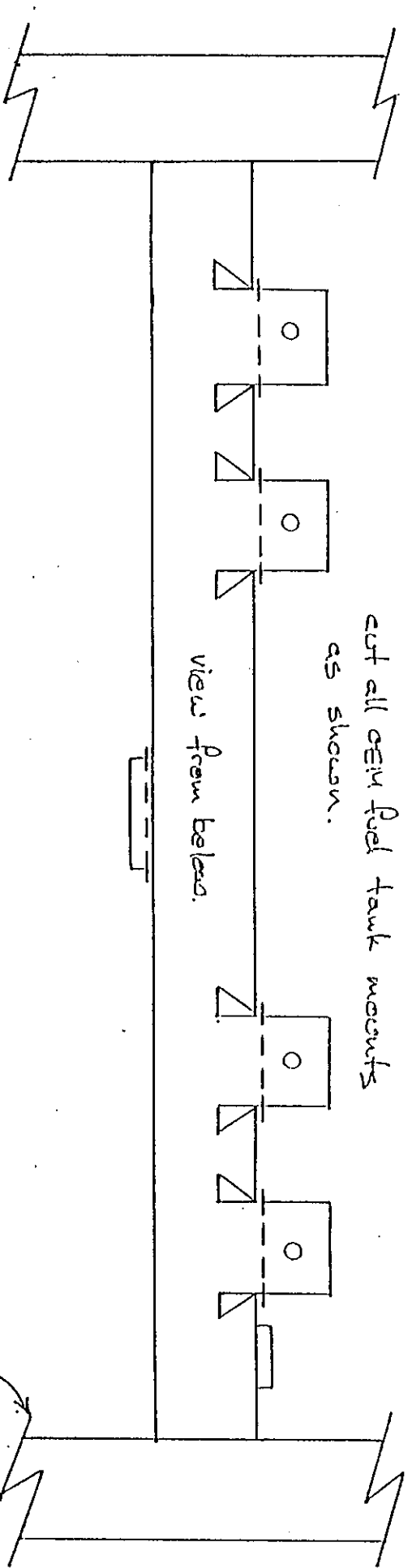
Kit Packed By _____

Checked By _____



TRC 275RR Tube Amplifier HWS/PNS:TS 1954
 Rear Replacement

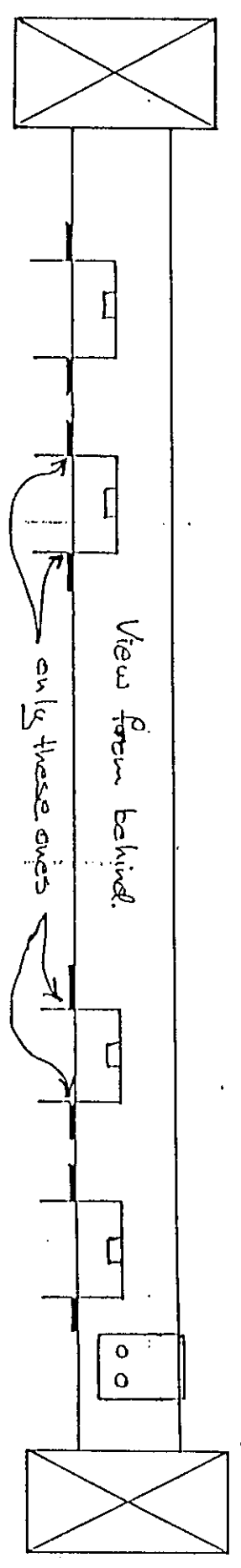
Views of tubular crossmembers: from below & behind



cut all OEM Ford tank mounts
 as shown.

view from below.

chassis rail.



View from behind.

only these ones

Also cut remaining sections of
 OEM tank mounting tags back
 flush with cross member.