



## Installation Instructions for MPNMRA-P Mitsubishi Pajero NM-NS 60L Auxiliary Tank

This auxiliary fuel tank fits up under the rear of the vehicle, it has a capacity of 60L. The standard filler is replaced with a new twin filler neck.

Fuel is transferred via an electric pump that will pump fuel from the auxiliary tank into the OEM tank. A combination switch/gauge will be located into a suitable blank in the dash. When the switch is in operation an **ORANGE** light will be on, indicating that the transfer pump is in operation. A series of lights will also indicate fuel level. All **GREEN** lights on showing FULL, one **RED** light showing EMPTY.

(DO NOT OPERATE TRANSFER PUMP WITH NO FUEL IN AUXILIARY TANK OR PUMP FAILURE WILL OCCUR).

1. Locate square recess in the lower dash panel to the left of the steering column. This is an ideal location for mounting the switch/gauge unit. Install the switch/gauge unit. Run wiring loom from switch/gauge unit to fuse box area, remove front and rear RH scuff plates, also remove RH front kick panel. Remove rear seat and black inspection hatch cover from under rear seat area. Run twin core provided from RH kick panel area through the wiring grommet inside cavity under inspection hatch. Twin core wire will now be accessible from above the rear of the OEM fuel tank. Connect all wires as shown in the wiring diagram, refit all trim previously removed.
2. Remove RH rear inner wheel arch cover to reveal OEM fuel fill pipe. Remove fill pipe assembly from vehicle and cut as shown in diagram. File cut ends smooth and install 80mm length of 35mm hose to filler pipe and refit assembly to vehicle. Enlarge 3 small mounting holes in filler recess to 8mm.

Install brass fittings to the new twin filler neck; 5/16 x 1/4 elbow goes into socket in fill pipe and points to the same direction as the pipe. One 5/8 x 1/4 elbow goes into the socket on the angled face of the twin filler, this fitting will be the auxiliary tank fast fill, the other 5/8 x 1/4 elbow goes into the socket adjacent to the shorter fill pipe, and this fitting is the OEM tank fast fill. The remaining socket is for the 1/4 x 1/4 elbow and this fitting will be connected to the auxiliary tank vent.

Install 400mm length of 16mm NTP hose to top rear fast fill port on the filler, this hose will be connected to the OEM tank fast fill tube. Secure new twin filler in place using OEM screws and rubber gasket.

3. Remove plastic surrounds from around rear seat retaining lugs. Remove both rear most bolts holding retaining lugs and fit M10 x 50 fine thread bolts provided. These bolts become the anchor points for the front secondary bracket under the vehicle. Install from secondary bracket and secure with fine thread Nyloc nuts, also install rear secondary brackets to mounting points on chassis.
4. Mount fuel pump in a well-protected position. Install 5/16 x 1/4 elbow fitting into the pickup socket and 1/4 x 1/8 elbow into vent socket on the new tank, both pointing to the RHS. Also install 5/8 x 1/4 straight fitting to fast fill socket near tank filler neck. Check OHMS reading of gauge sender with sender installed in tank. Readings should be 0.5-2 OHMS on EMPTY and 88-92 OHMS on FULL. (To check full reading, invert the tank).
5. Lift tank up almost into position and connect pickup hose to fuel pump, then lift tank into final position and secure. (NOTE: Bracket welded to front of the tank should fit up behind the front secondary bracket). Install remaining hoses and wires, install remaining steel fill pipe and fast fill hose. (On models with rear air-con, check clearance from tank filler neck and bend slightly inboard if required). Vent hose from new tank is to be connected to available 1/4 x 1/4 elbow fitting on twin filler. Trim plastic cover from inside wheel arch to fit around new filler pipe, refit cover, 6mm bolt welded to base of new twin filler it so be used as a mounting point for this cover.
6. Neatly cable tie all hoses and wires away from any moving parts of heat sources. Refit any trim previously removed. Fill tank with fuel and check for leaks.

NOTE 1: QUALITY SEALER SHOULD BE USED ON ALL FITTINGS – e.g. PERMATEX 3J



## FITTING KIT CONTENTS MPNMRA-P

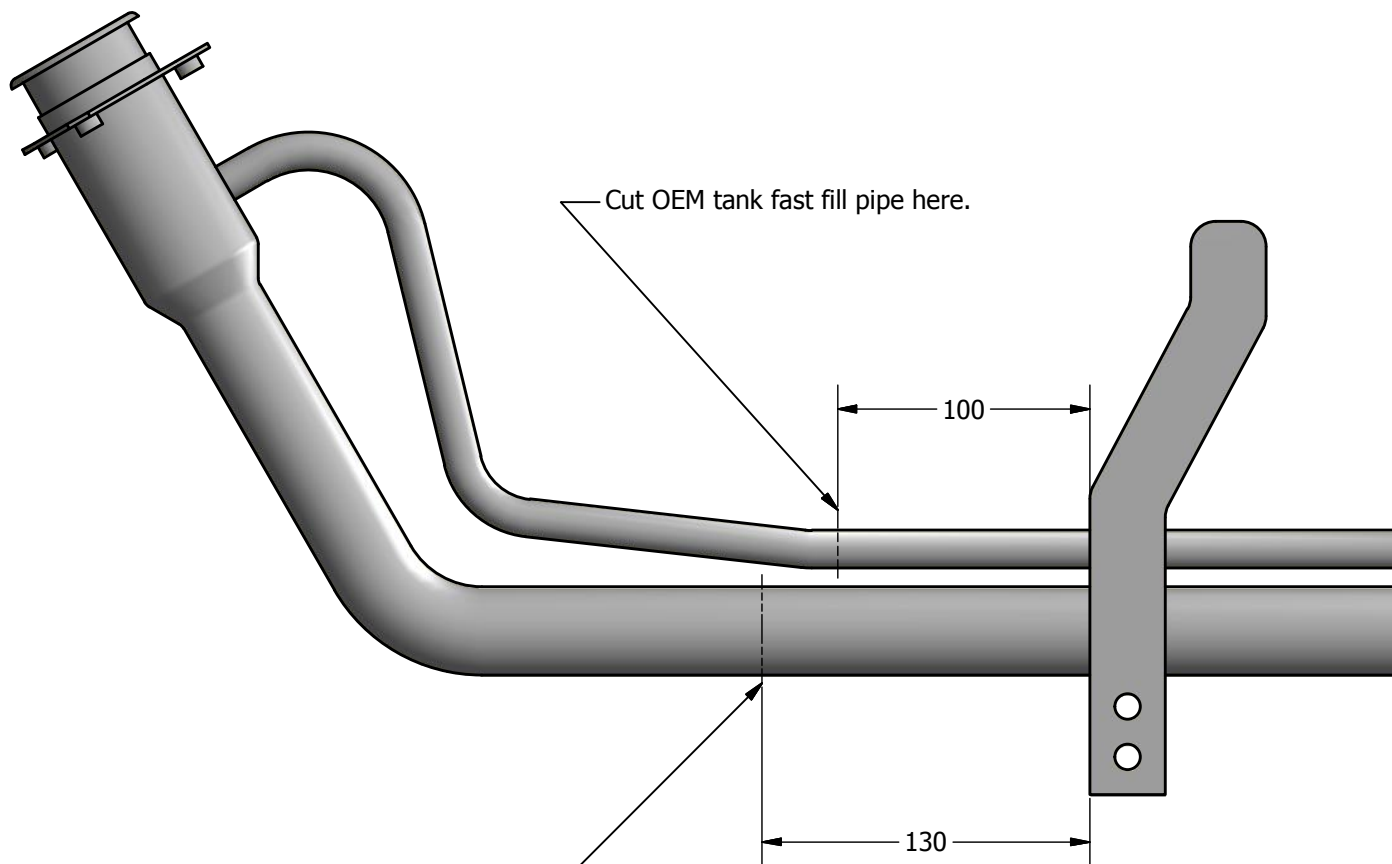
<p><b>Brass</b></p> <ul style="list-style-type: none"> <li>○ 1 x P6 1/4 x 1/4 Elbow</li> <li>○ 2 x P6 5/16 x 1/4 Elbows</li> <li>○ 1 x P3 5/8 x 1/4 Straight</li> <li>○ 2 x P6 5/8 x 1/4 Elbows</li> <li>○ 1 P6 1/4 x 1/8 Elbow</li> </ul>	<p><b>Electrical</b></p> <ul style="list-style-type: none"> <li>○ 1 x LRA-PG210 Switch/Gauge</li> <li>○ 1 x 3mm Two Core Wire @ 5000mm</li> <li>○ 3 x Blue Eye Terminals</li> <li>○ 4 x 3mm Heat Shrink @ 25mm</li> <li>○ 1 x Red Insulated Terminal</li> <li>○ 1 x 5 AMP Fuse</li> <li>○ 1 x Fuse Holder</li> <li>○ 2 x Fuse Holder Terminals</li> <li>○ 1 x 4mm Single Core Blue @ 300mm</li> </ul>
<p><b>Bolts / Nuts</b></p> <ul style="list-style-type: none"> <li>○ 4 x M10 x 30 Bolts</li> <li>○ 8 x M10 Flat Washers</li> <li>○ 4 x M10 Nyloc Nuts</li> <li>○ 5 x M5 x 10 Pan Head Screws</li> <li>○ 1 x M6 Flat Washer</li> <li>○ 1 x M6 Nut</li> <li>○ 2 x M10 x 40 Fine Thread Set Screws</li> <li>○ 2 x M10 Fine Nyloc Nuts</li> <li>○ 2 x M10 x 20 Washers</li> <li>○ 1 x M12 x 30 Fine Bolt</li> <li>○ 1 x M12 Spring Washer</li> <li>○ 1 x M12 Flat Washer</li> </ul>	<p><b>Misc Parts</b></p> <ul style="list-style-type: none"> <li>○ 2 x 50 x 3 x 400 Rubber Strips Glued to Tank 50mm Out From Center Cut Out</li> <li>○ 1 x Steel Fill Pipe #FPMNMGCH/AUX</li> <li>○ 1 x Twin Filler</li> <li>○ 3 x Secondary Brackets</li> </ul>
<p><b>Hose Clamps</b></p> <ul style="list-style-type: none"> <li>○ 8 x 1/4 Hose Clamps</li> <li>○ 4 x 5/8 Hose Clamps</li> <li>○ 4 x 1 1/2 Hose Clamps</li> <li>○ 2 x 1 1/4 Hose Clamps</li> </ul>	<p><b>Cable Ties</b></p> <ul style="list-style-type: none"> <li>○ 5 x 7" Cable Ties</li> <li>○ 5 x 11" Cable Ties</li> </ul>
<p><b>Sender</b></p> <ul style="list-style-type: none"> <li>○ 1 x 90 OHM Sender Unit with 700mm Earth</li> </ul>	<p><b>Filters/Pumps</b></p> <ul style="list-style-type: none"> <li>○ 1 x Z14K Filter/Screen</li> <li>○ 1 x Fuel Pump</li> </ul>

Hose	5 Pages Instructions Consisting Of:
<ul style="list-style-type: none"> <li>○ 1 x 6mm CMP Hose @ 1200mm</li> <li>○ 1 x 8mm Hose @ 1200mm</li> <li>○ 2 x 38mm Hose @ 80mm</li> <li>○ 1 x 16mm NTP Hose @ 400mm</li> <li>○ 1 x 16mm NTP Hose @ 800mm</li> <li>○ 1 x 35mm fuel hose @ 80mm</li> </ul>	<ul style="list-style-type: none"> <li>○ 1 x Page Fitting Instructions</li> <li>○ 2 x Pages Fitting Kit Contents</li> <li>○ 1 x Page Wiring diagram #WDSGPG210</li> <li>○ 1 x Page Installation Drawing #INMPNMRA</li> <li>○ 1 x Page Installation Drawing #INMPNMRA01</li> </ul>

Kit Packed By \_\_\_\_\_

Kit Checked By \_\_\_\_\_

NOTE:  
Cutting positions for OEM tank fill pipe and fast fill pipe  
located in right hand rear wheel arch.



Cut OEM tank fast fill pipe here.

100

130

Cut OEM tank fill pipe here.

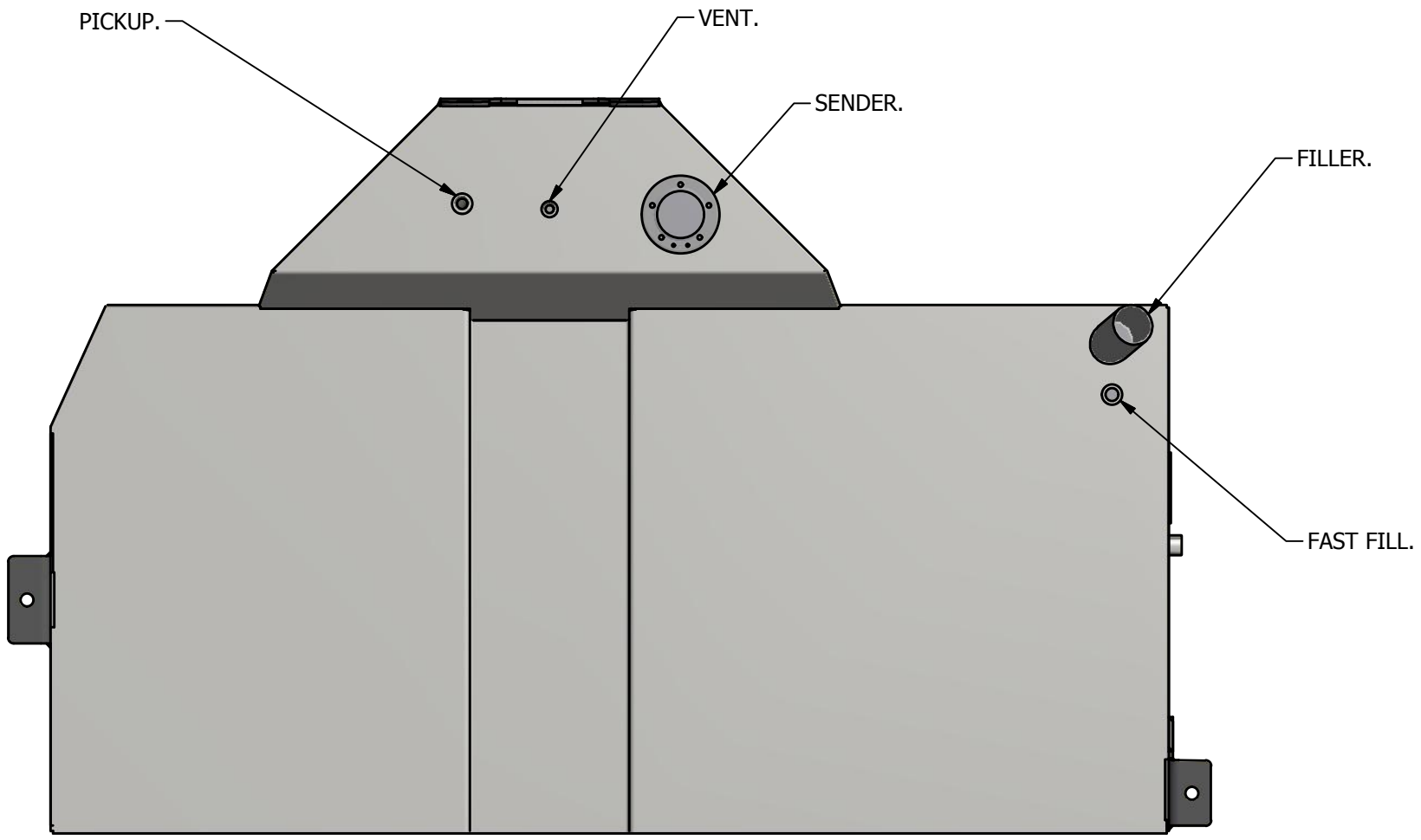
THIS DRAWING REMAINS THE PROPERTY OF  
LONG RANGE AUTOMOTIVE AND IS NOT TO BE DUPLICATED  
WITHOUT PERMISSION



MPNMRA

INSTALL-1

Mitsubishi Pajero 60ltr rear auxiliary  
OEM filler modifications.



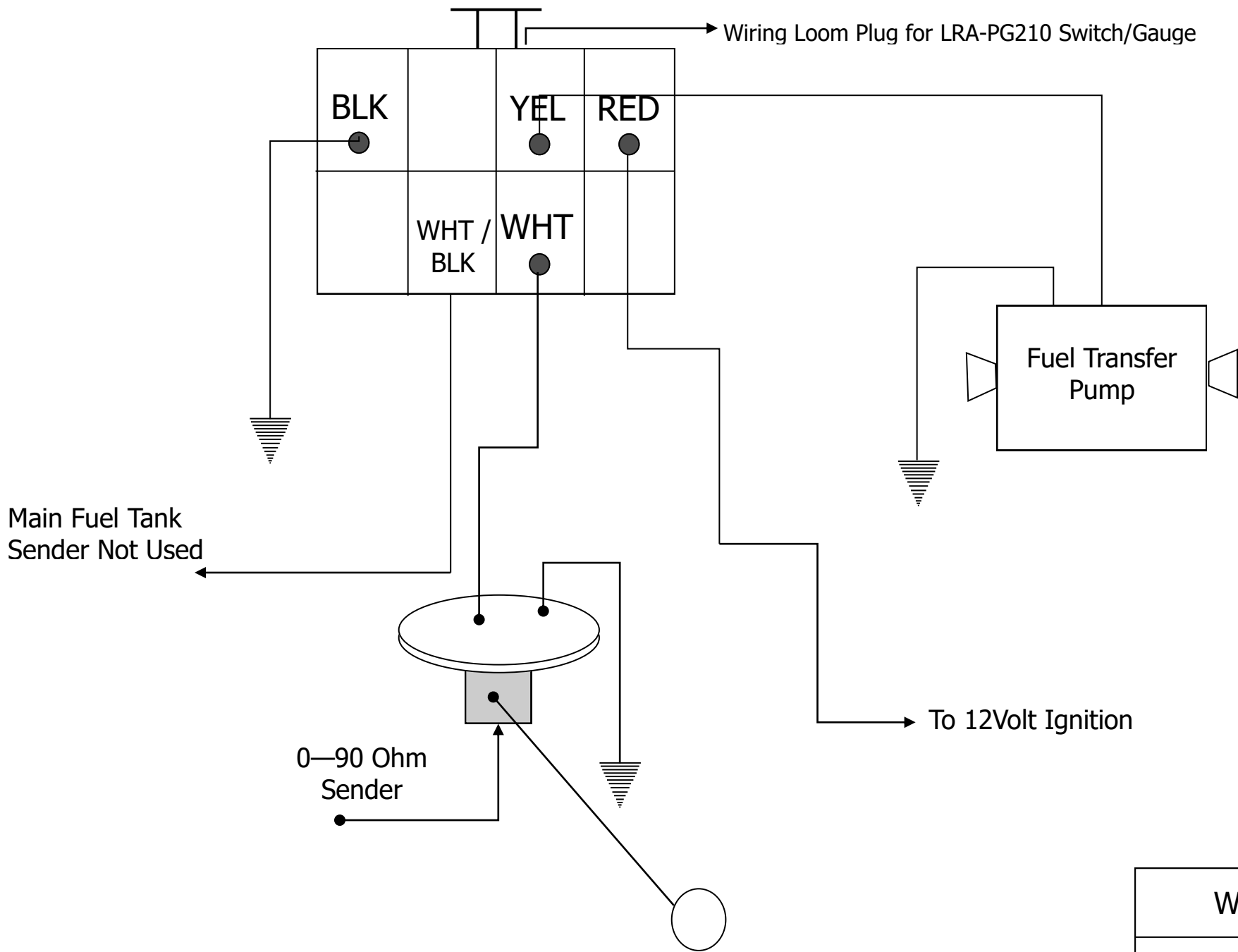
THIS DRAWING REMAINS THE PROPERTY OF  
LONG RANGE AUTOMOTIVE AND IS NOT TO BE DUPLICATED  
WITHOUT PERMISSION



MPNMRA

INSTALL-2

Mitsubishi Pajero NM onwards  
petrol, diesel 60 ltr rear aux tank.



WDSGPG210