



Installation Instructions for NPY62A

Nissan Patrol Y62

150lt Auxiliary Tank

Updated 7/22 TL

1. Carry out wiring of the PG200 switch gauge unit, suggested switch location is 25mm to the LHS of the edge of recess next to the tail gate release switch **(Refer Pic 1)**. Run the twin core under the RH scuff plates to the rear of the vehicle for later connection to the transfer pump and sender unit. A 12V ignition source can be found under the RH kick panel, green wire **(Refer Pic 2)**.
2. Remove the spare wheel and wheel winch. Unbolt the front and rear spare wheel location bars. Remove the vibration damper from the muffler.
3. Remove the LHR wheel arch cover. Remove the standard filler neck assembly and cut the fill and fast fill pipes at 30mm from the edge of the pipe mounting bracket **(Refer Pic 3)**, also cut the bracket from the fill pipe top edge **(Refer Pic 4)** you will need to clean the plastic coating from the fill and fast fill pipes to allow the hoses to get a good seal on the pipes.
4. Assemble the fittings into the new twin filler neck. 2 x P6 5/8 x 3/8 elbows go into the angle face of the filler box pointing in the direction of the fill pipes. 1 x P6 5/16 x 1/4 elbow goes into the main tank fill pipe pointing to the rear and the P6 1/4 x 1/4 elbow goes into the socket near the base of the filler box pointing to the rear.
5. Refit the fill pipe to the vehicle with the new twin filler and join with 80mm of 35mm hose and the fast fill vent with 430mm of 16mm hose.
6. Mount the fuel transfer pump to the chassis rail with the fuel pump mounting bracket and connect the outlet side of the pump to the P6 5/16 x 1/4 elbow on the twin filler with the 500mm length of 8mm hose. **(Refer Pic 5)**
7. Mount the new front secondary bracket to where the front tyre bar was mounted, use 4 x M8 x 30mm bolts with spring and flat washers, apply Loctite to these bolts. Use 1 x

M12 x 30mm bolt with spring and flat washer on the LHS using the M12 nut on the 200mm long strap through the chassis cavity near the LHR lower control arm.

8. Mount the new rear secondary bracket with 4 x M8 x 30mm bolts with spring and flat washers, apply Loctite to these bolts. Drill the remaining 4 holes out to 10.5mm and use M10 x 30mm bolts with 200 and 300mm straps with nyloc nuts and washer to secure.
9. Assemble fittings into tank. Roll over valve and grommet pointing towards the LHS with 1400mm length of 6mm hose attached. P6 5/16 x ¼ elbow into the fuel pick up at the front of the tank pointing towards the rear. P6 5/8 x 3/8 elbow pointing towards the filler neck. Fit 970mm length of 16mm hose to this elbow.
10. Jack the tank into position while feeding the 16mm and 6mm vent lines over the chassis rail. Connect the sender unit wire and have the sender unit earth wire heading out the LHS for a body earth connection.
11. Secure the front of the tank with M10 cup washers, rubber bush and heavy-duty washer with Nyloc nut. Secure the rear of the tank with heavy duty washers and Nyloc nuts.
12. Use the FPY62A fill pipe and 2 x 35mm fuel hose at 80mm long to connect the auxiliary filler to the tank.
13. Clip all the original vent lines into position and run the 970mm 16mm fast fill vent hose and the 1400mm 6mm vent hose up to the filler for connection. Use the 20mm Conduflex on the fast fill vent to protect it from the body edge.
14. Cover the 800mm length of 8mm hose with the 16mm Conduflex and link the fuel pick up to the filter on the inlet side of the pump.
15. Connect the earth wire to the body using TEK screw. Complete the wiring of the transfer pump. Check over all hose fittings.
16. Replace the small plastic cover using two of the clips and a cable tie (you will need to trim a little from this cover to go around the auxiliary tank fill pipe).
17. Replace the wheel arch cover.



FITTING KIT CONTENTS NPY62A

Updated 5/22 TL

Brass	Electrical
<ul style="list-style-type: none"> ○ 1 x P6 1/4 x 1/4 Elbow ○ 2 x P6 5/16 x 1/4 Elbows ○ 3 x P6 5/8 x 3/8 Elbows ○ 1 x P6 5/16 x 1/8 Elbow 	<ul style="list-style-type: none"> ○ 1 x LRA-PG210 ○ 1 x 3mm Two Core @ 5000mm ○ 1 x 4mm Single Core Blue Wire @ 300mm ○ 1 x 3mm Single Core Black @ 300mm ○ 1 x 5AMP Fuse ○ 1 x Fuse Holder ○ 2 x Fuse Holder Terminals ○ 1 x Red Insulated Terminal ○ 2 x Red Eye Terminal ○ 3 x 3mm Shrink Tube @ 30mm
Bolts / Nuts	Misc Parts
<ul style="list-style-type: none"> ○ 8 x M8x 30 Bolts ○ 1 x M12 x 30 Bolt ○ 8 x M8 x 20 Washers ○ 8 x M8 Spring Washers ○ 4 x M10 x 25 Washers ○ 1 x M12 Spring Washer ○ 3 x M12 Nyloc Nuts ○ 7 x M10 Nyloc Nuts ○ 2 x Tek Screws ○ 2 x Tek Screws 30 Long ○ 4 x M12 H/D Washers ○ 3 x M10 Cup Washers ○ 3 x 126 Type Washers 	<ul style="list-style-type: none"> ○ 1 x Twin Filler #TFNPY62A ○ 1 x Fill Pipe #FPNPY62A ○ 1 x Roll Over Valve ○ 1 x LRA-FTG-2 ○ 1 x Front Secondary Bracket with M10 x 50 bolts welded ○ 1 x Rear Secondary Bracket with M12 x 30 bolts welded ○ 2 x M10 x 30 200 Straps ○ 2 x M10 x 30 300 Straps ○ 1 x M12 Nut 200 Strap ○ 3 x 30 x 10 x 15 Rubbers
Hose Clamps	Cable Ties
<ul style="list-style-type: none"> ○ 6 x 1/4 Hose Clamps ○ 4 x 5/8 Hose Clamps ○ 7 x 1 1/4 Hose Clamps 	<ul style="list-style-type: none"> ○ 10 x 7" Cable Ties ○ 2 x 11" Cable Ties

Hose	8 Pages Of Fitting Instructions Consisting Of
<ul style="list-style-type: none"> ○ 1 x 6mm Hose @ 1400mm ○ 1 x 8mm Hose @ 800mm ○ 1 x 8mm Hose @ 500mm ○ 3 x 35mm Hose @ 80mm ○ 1 x 16mm NTP Hose @ 970mm ○ 1 x 16mm NTP Hose @ 430mm ○ 1 x 16mm Conduflex @ 600 ○ 1 x 20mm Conduflex @ 300 	<ul style="list-style-type: none"> ○ 2 x Pages Fitting Instructions ○ 3 x Pages Fitting Instruction Pics ○ 2 x Page Fitting Kit Contents ○ 1 x Page WDSGPG210 Wiring Diagram
Sender	Filters & Pumps
<ul style="list-style-type: none"> ○ 1 x Sender 0-90 OHM C/W 700mm Earth Installed With: <ul style="list-style-type: none"> - 5 x M5 x 10 Pan Heads - 5 x M5 Spring Washers 	<ul style="list-style-type: none"> ○ 1 x Fuel Pump & Filter ○ 1 x Fuel Pump Mounting Plate

Kit Packed By _____

Kit Checked By _____

Nissan Patrol Y62 Auxiliary Tank Photos

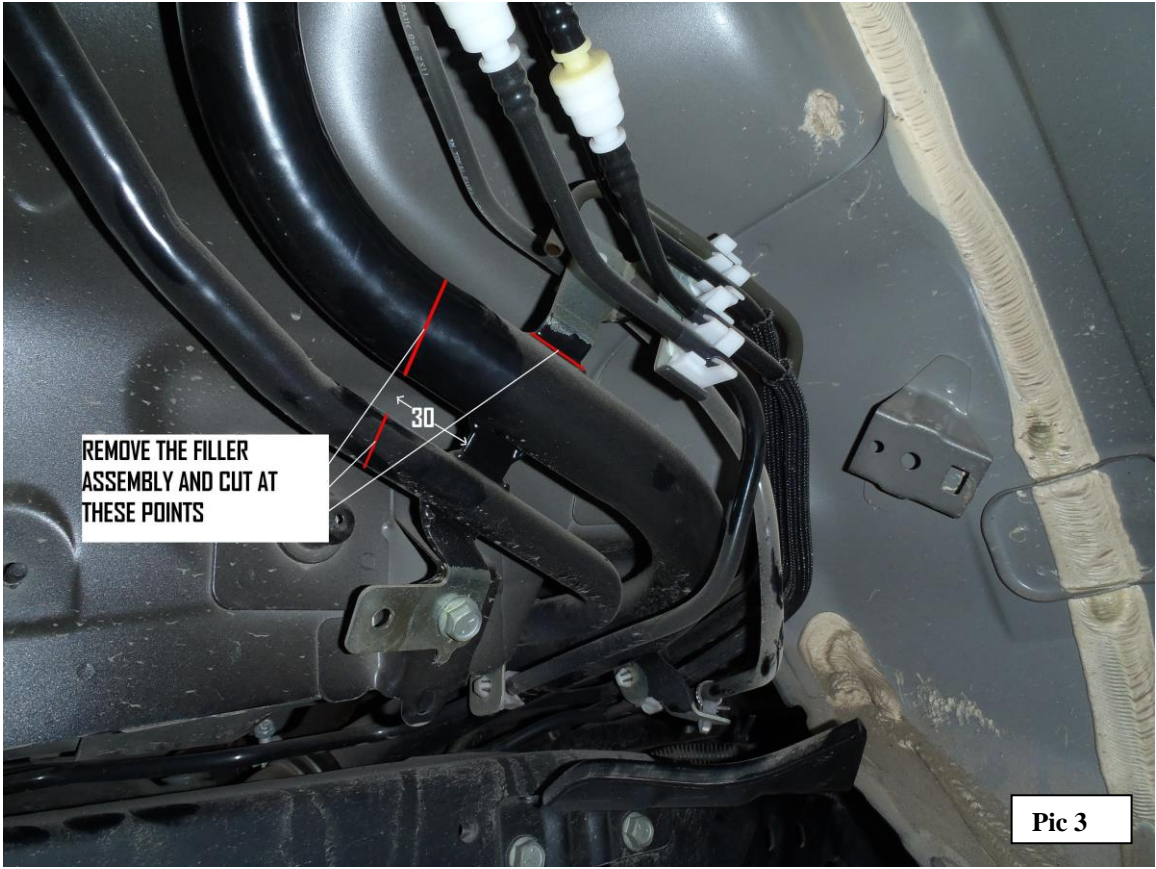
Updated 08/19



Pic 1

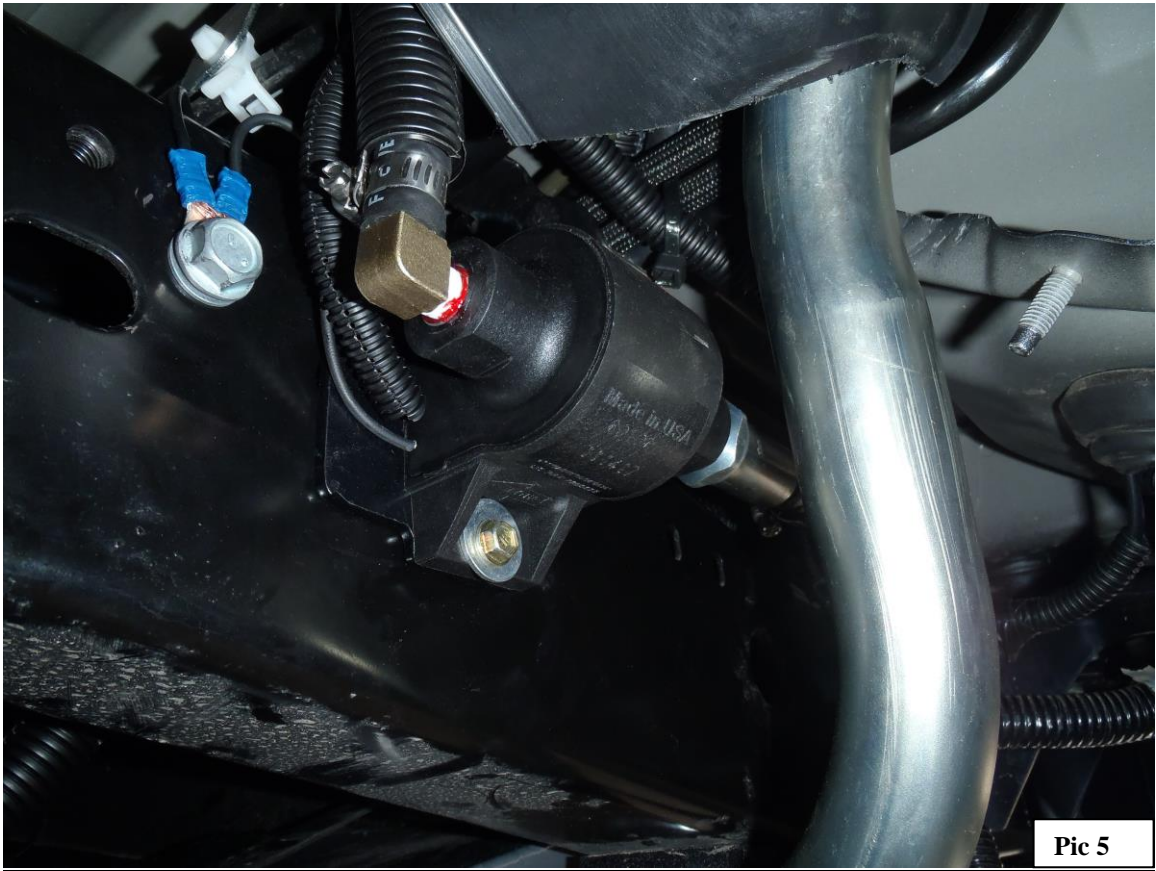


Pic 2

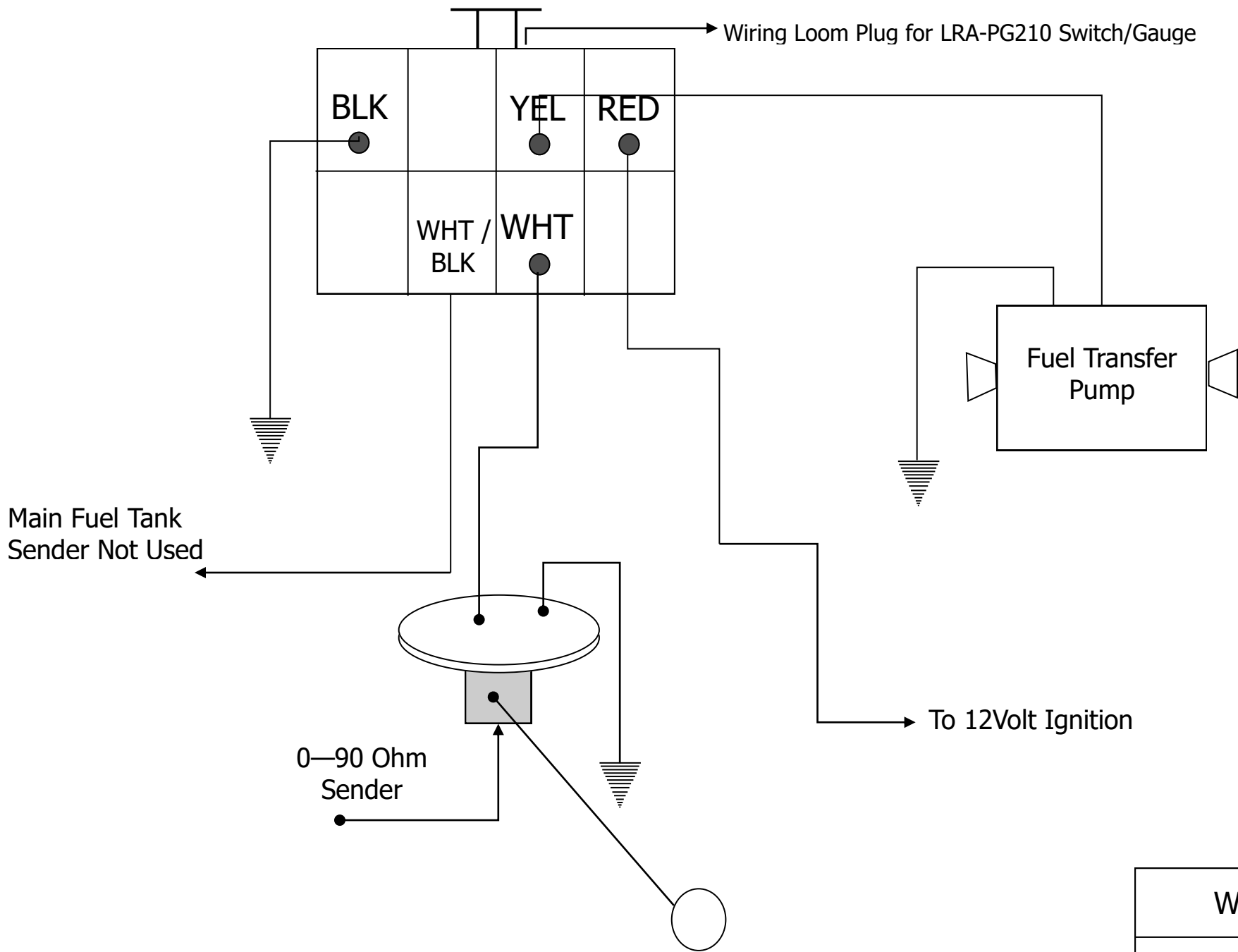


Pic 3





Pic 5



WDSGPG210