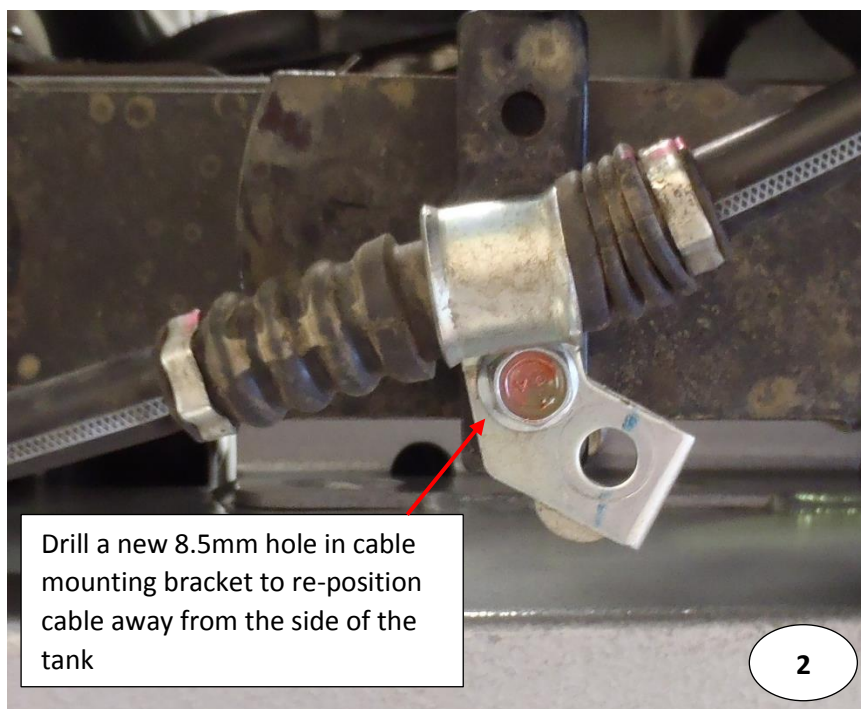




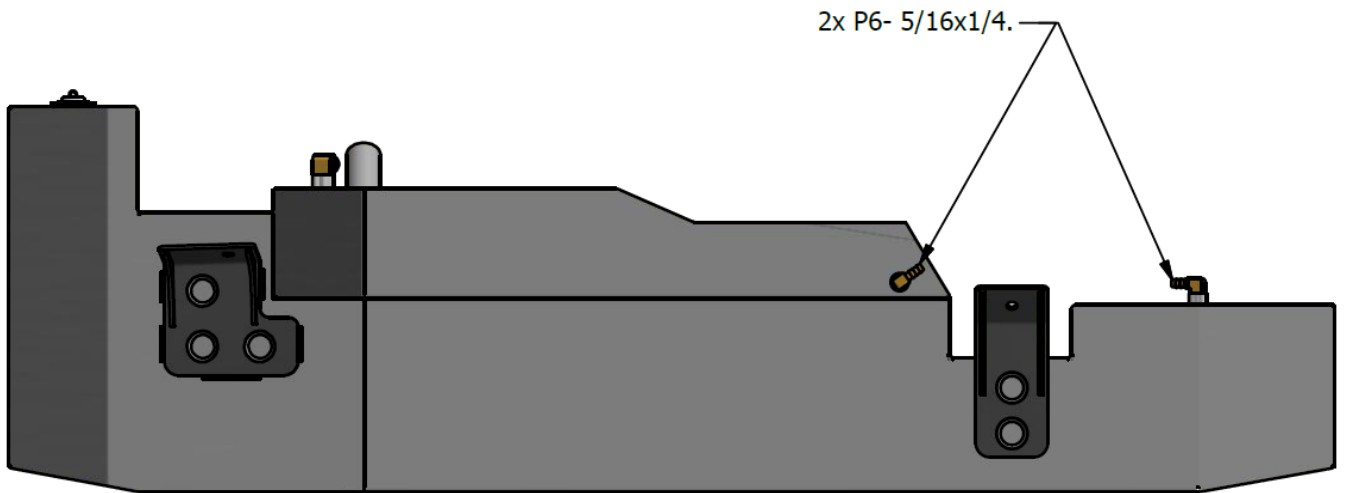
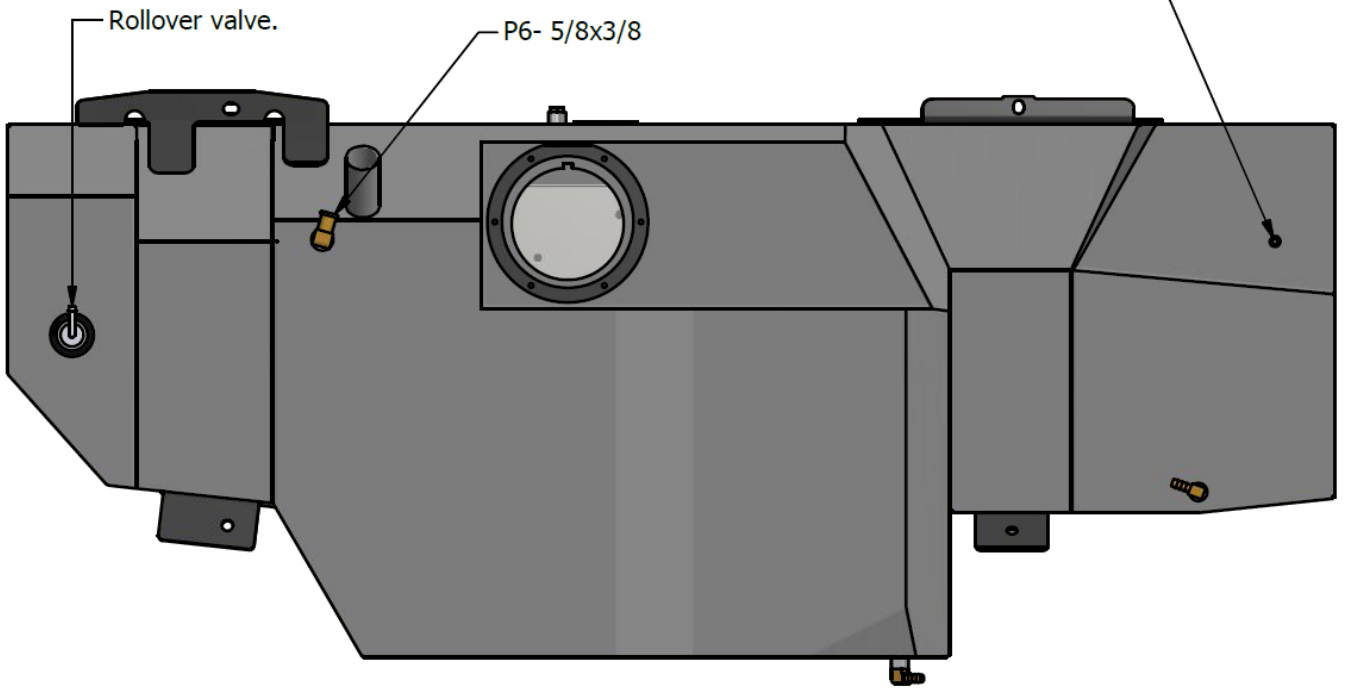
**Installation Instructions for HCRGCBDCR
Holden RG Colorado / Isuzu DMAX
130lt Replacement Tank**

1. Disconnect Fuel pick up and return lines at the front of the tank. Remove the L/H plastic wheel arch cover and disconnect the filler and fast fill hoses remove top cable tie. Remove straps and lower the tank partly down, unclip the sender unit wiring and remove tank from vehicle. Unbolt the drive shaft and tie out of the way to the muffler side.
2. Install fittings into the tank as per Drawing. Place the magnet in the tank close to the swirl pot entry point. Fit the sender unit assembly to the tank using the Original O Ring and the new hold down ring with the M5 x 8mm Cap screw and washers. Cover the OE fuel pick up and return lines with the 900mm lengths of 10mm and 13mm Conduflex. Fix the fuel pick up and return lines to the M6 stud at the front of the tank with the 13mm and 16mm rubber lined P clips and M6 Nylon nut. Fit the grommet and rollover valve to the tank and attach 1000mm of 6mm fuel hose.
3. Lift the front of the tank over the drive shaft before jacking into position, stopping part of the way to connect the Fill and fast fill hose, also connect the sender unit wiring at this time. Jack the tank completely home.
Firstly secure the outside of the tank with OE strap bolts, then secure the inboard rear with M10 x 30mm bolt spring and flat washer with 20 x 20 Square washer and the plate with the M10 nut welded to it. Once these mounts are secure check for clearance. Drill the front inboard mount and secure with M10 x 80mm bolt and the folded bracket support plate with Nyloc nut and washers.
4. Use the 400mm length of 8mm hose to connect the two 8mm elbows for the air balance line at the front of the tank. Connect Fuel pick up and return lines, Fill and fast fill hoses. Screw the Brass screen into the P10 hose barb, connect this to the 1000mm 6mm line that comes from the roll over valve, run this line up into the filler neck area and secure with cable tie.
5. On Dmax vehicles check park brake cable clearance to side of tank and modify cable bracket (**Ref Pic 1 & 2**).
6. Refit drive shaft and refit wheel arch cover. Fill with fuel and check over all hoses and fittings.

HCRGDCR – Park cable bracket modification



Secure the pick up and return lines to the M6 bolt with the 16 and 13 P clips.



THIS DRAWING REMAINS THE PROPERTY OF
LONG RANGE AUTOMOTIVE AND IS NOT TO BE DUPLICATED
WITHOUT PERMISSION

HCRGDCR

29/1/2013.

Holden Colorado RG diesel 130ltr
replacement tank.



FITTING KIT CONTENTS HCRGCBDCR

Brass	
<ul style="list-style-type: none"> ○ 2 x P6 5/16 x 1/4 Elbow ○ 1 x P6 5/8 x 3/8 Elbow ○ 1 x 2921 - 04 Brass Screen ○ 1 x P10 0404 Hose Barb 	
Bolts / Nuts	Misc Parts
<ul style="list-style-type: none"> ○ 1 x M10 x 30mm Bolt ○ 1 x M10 x 80mm Bolt ○ 3 x M10 x 25mm Washer ○ 1 x M10 Spring Washer ○ 1 x M10 Nyloc Nut ○ 1 x M6 Nyloc Nut ○ 6 x M5 x 8mm Cap Screws ○ 6 x M5 Washers 	<ul style="list-style-type: none"> ○ 1 x Bracket Plate with M10 Nut Welded ○ 1 x Folded Bracket Plate ○ 1 x 20 x 20 x 3mm Square washer with 10.5mm Off Set Hole ○ 1 x Magnet ○ 1 x Roll Over Valve ○ 1 x Rollover Valve Grommet ○ 1 x Hold Down Ring <p>4 Pages Fitting Instructions Consisting of:</p> <ul style="list-style-type: none"> ○ 1 Page Fitting Instructions ○ 1 Page Fitting Kit Contents ○ 1 Page Fitting Installation Drawing ○ 1 Page DMax cable mount photos
Hose	Cable Ties
<ul style="list-style-type: none"> ○ 1 x 6mm Fuel Hose @ 1000mm ○ 1 x 8mm EFI Hose @ 400mm ○ 1 x 16mm Conduflex @ 350mm ○ 1 x 13mm Conduflex @ 900mm ○ 1 x 10mm Conduflex @ 900mm 	<ul style="list-style-type: none"> ○ 4 x 7" Ties
Hose Clamps	
<ul style="list-style-type: none"> ○ 2 x 1/4" Clamps ○ 2 x EFI Clamps ○ 1 x 16mm Rubber lined P clip ○ 1 x 13mm Rubber lined P clip 	

Kit Packed By _____

Checked By _____